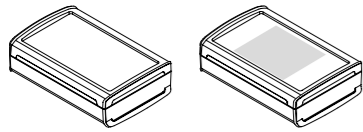


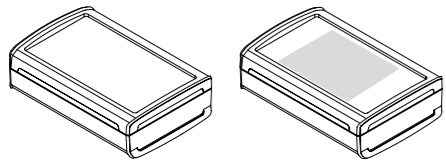
BoVersa

Enclosure size

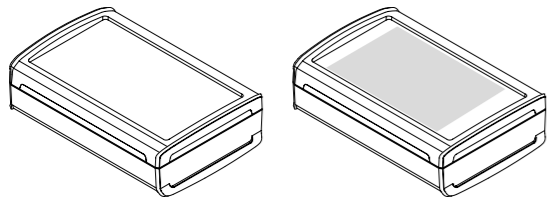
BV 120903... Display size 3.5"



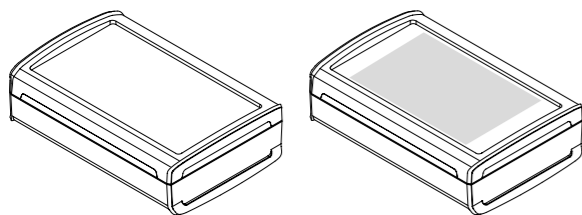
BV 171204... Display size 5"



BV 211405... Display size 7"



BV 281906... Display size 10.1"

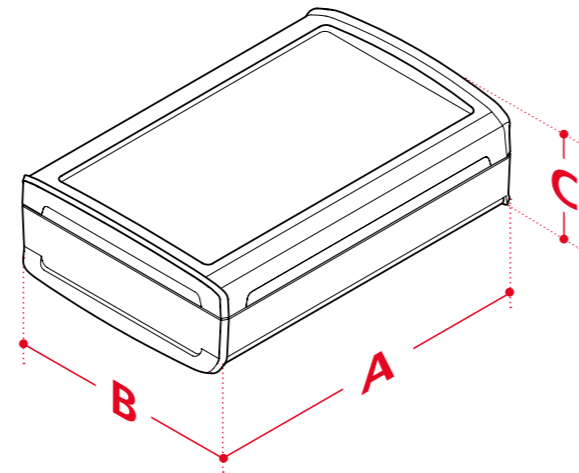


Lid available in:

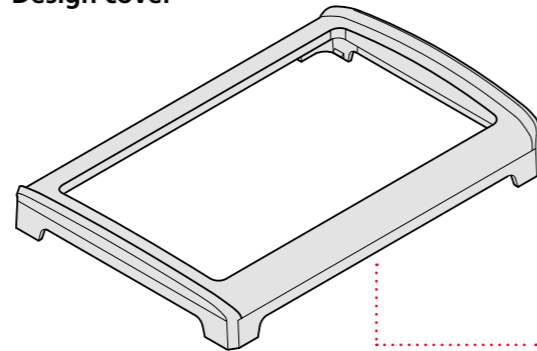
- Black
- White
- Translucent
- Crystal clear



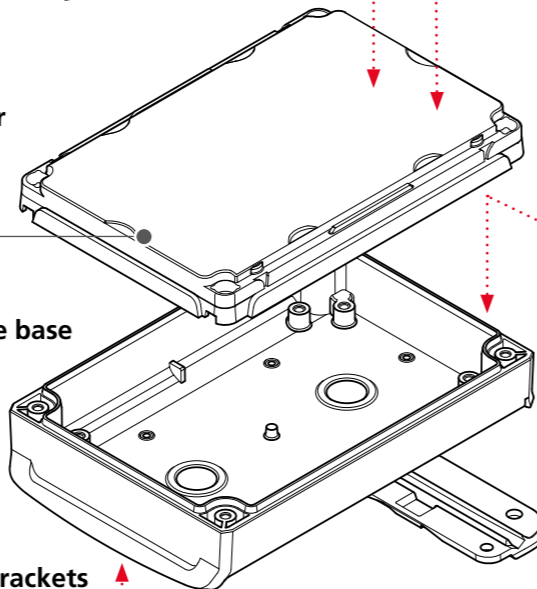
Design type



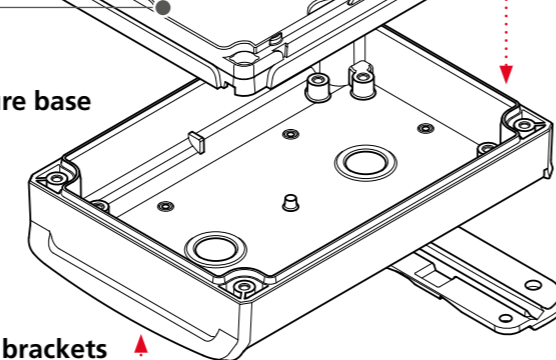
Design cover



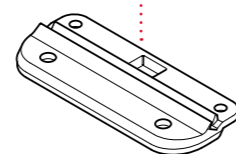
Cover



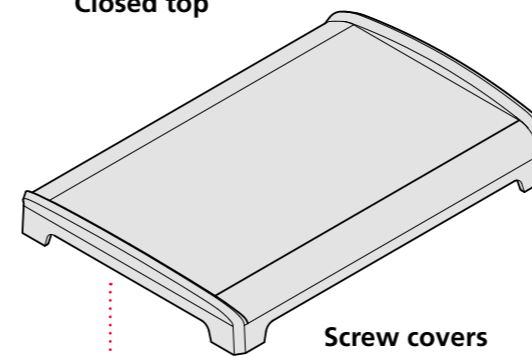
Enclosure base



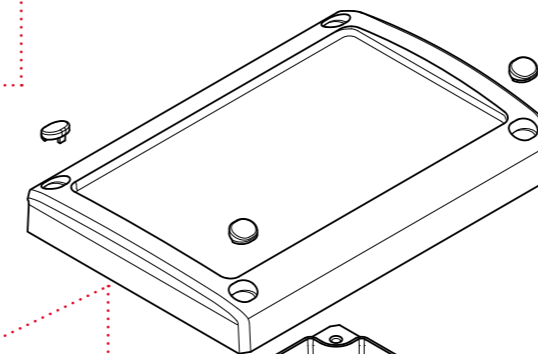
Mounting brackets



Closed top



Screw covers
for screwing from above



Moulded on mounting brackets
with die-cast aluminium housing body

Dimensions

Model	A	B	C
BoVersa 120903 / 3.5"	125	88	34
BoVersa 171204 / 5"	170	120	44
BoVersa 211405 / 7"	210	140	54
BoVersa 281906 / 10.1"	275	185	64

Accessories



Pressure compensation membrane
D11



Mast fixing



Separate mounting brackets
on the plastic lower part